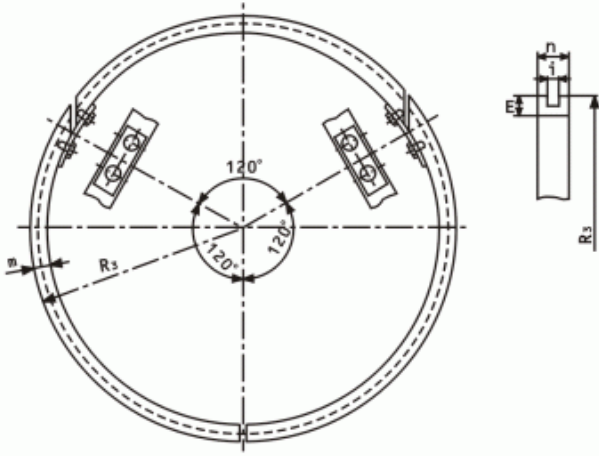
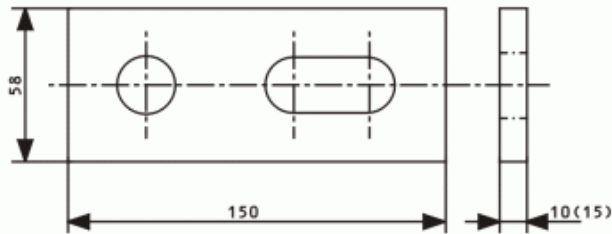




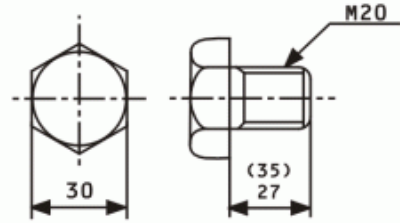
●Type U Center Gland (for Collar)



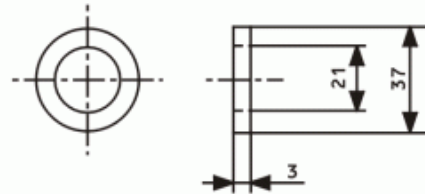
■套管用中間圈 Center Gland for Collar



■中間圈用卡具 Plate for Center Gland
(CNS 2473-SS 400 / 尼龍Nylon 6)



■中間圈用卡具用螺栓 Plate Bolt
(CNS 2473-SS 400 / CNS 3270-304)



■中間圈用卡具用墊圈 Gasket
(CNS 3270-304)

Unit: mm

Nominal size	Dimensions				Weight (kg)
	R ₃	i	m	n	
700	389.5	22	40	60	32.3
800	441.0	22	40	60	36.9
900	492.5	22	40	60	41.4
1000	543.5	22	40	60	45.9
1100	595.0	22	40	60	50.4
1200	646.0	22	40	60	54.9
1350	723.0	22	40	60	61.7
1500	800.0	22	40	60	68.5
1600	851.0	22	40	60	73.0
1650	876.5	22	40	60	75.2
1800	950.0	22	40	60	81.7
2000	1056.5	22	40	60	91.1
2100	1108.0	22	40	60	95.6
2200	1166.0	22	40	60	101.0
2400	1255.0	22	40	60	109.0
2600	1373.0	22	40	60	119.0

Note: 1. The dimensions in the brackets of the plate for center gland with the material of nylon 6.

2. The dimensions in the brackets of the plate bolt of the plate for center gland with the material of nylon 6.

3. The material of plate for center gland is nylon 6, and need to apply a gasket. The material of plate bolt needs to use the stainless steel 304.